

DEVELON

Crawler Excavator

DX225LC-7



Engine

Make	DEVELON
Model	DL06P
Number of cylinders	6
Rated power, gross (hp per SAE J1995)	174 hp (129 kW) @ 1800 rpm
Rated power, net (hp per SAE J1349)	162.3 hp (121 kW) @ 1800 rpm
Max. torque, net (SAE J1995)	593 lb.-ft. (804 Nm) @ 1400 rpm
Displacement	359 in. ³ (5.9 L)
Bore and stroke	3.9 in. x 4.9 in. (100 mm x 125 mm)
Starter	24 V, 8.6 hp (6.0 kW)
Battery	2 x 12 V, 150 AH
Alternator	24 V, 100 amp
Air cleaner	Three-stage

Hydraulics

Main pumps	2 x 56 gpm (2 x 212 L/min.)
Pilot pump (gear design)	8 gpm (30 L/min.)

Working Pressure

Boom/arm/bucket (normal mode)	4978 psi (350 kg/cm ²)
Boom/arm/bucket (power boost)	5263 psi (370 kg/cm ²)
Travel	5263 psi (370 kg/cm ²)
Swing	3840 psi (270 kg/cm ²)
Pilot	566 psi (40 kg/cm ²)

Undercarriage

Upper rollers (each track)	2
Lower rollers (each track)	8
Number of shoes (links per side)	49

Swing Mechanism

Swing speed	0 – 10.9 rpm
Swing torque	60757 lb.-ft. (8400 kgf-m)

Drive System

Travel speed (low – high)	1.85 – 3.41 mph (2.97 – 5.49 km/h)
Traction force, max. (drawbar pull)	55078 lb.-ft. (24983 kgf-m)
Max. grade (limited by engine lub)	70% (35°)

Environment

Sound level (2000/14/EC)	102 dB(A)
Cabin sound level (ISO 6396)	70 dB(A)

Refill Capacities

Fuel tank	105.6 gal. (400 L)
DEF tank	8.3 gal. (31.5 L)
Cooling system (radiator capacity)	7.8 gal. (29.7 L)
Engine oil (with filler)	7.1 gal. (27 L)
Swing drive	1.3 gal. (5 L)
Final drive (each side)	1.1 gal. (4 L)
Hydraulic system	60.7 gal. (230 L)
Hydraulic tank	34.6 gal. (131 L)

Hydraulic Cylinders

Boom ¹ (2) bore x rod diameter x stroke	4.9 in. x 3.4 in. x 49.7 in. (125 mm x 85 mm x 1263 mm)
Arm ^{1,2} (1) bore x rod diameter x stroke	5.3 in. x 3.9 in. x 56.8 in. (135 mm x 100 mm x 1443 mm)
Bucket (STD) ¹ (1) bore x rod diameter x stroke	4.7 in. x 3.1 in. x 41.7 in. (120 mm x 80 mm x 1060 mm)

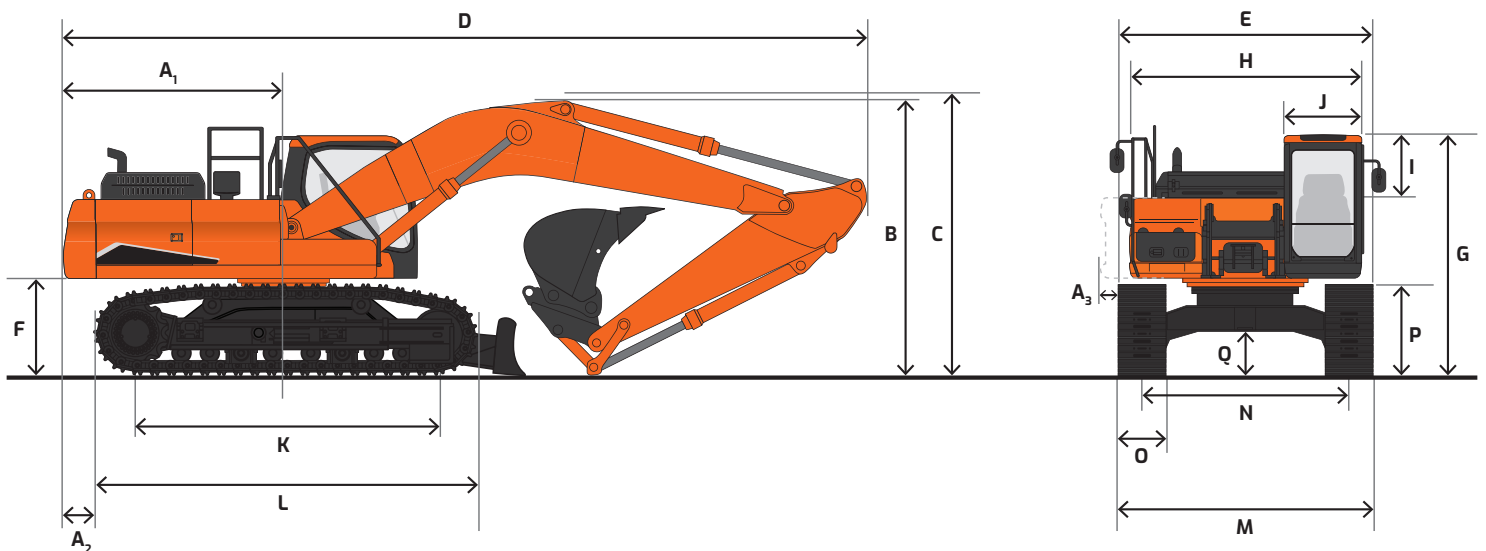
¹ Cushion on rod end

² Cushion on base end

The piston rods and cylinder bodies are made of high-strength steel. A shock-absorbing mechanism is fitted in all cylinders to ensure shock-free operation and extended piston life.

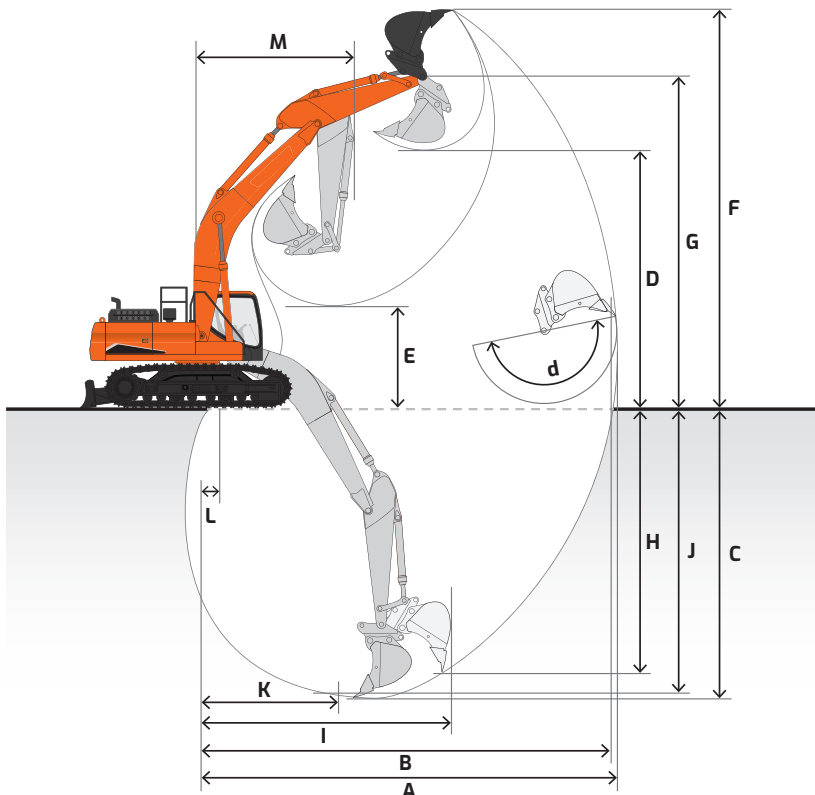
Dimensions

		Standard Arm 31.5" (800 mm) TG Shoe (US20)	Long Arm 35.4" (900 mm) TG Shoe (US30)	Standard Arm & Dozer Blade 31.5" (800 mm) TG Shoe (US40)	Super-Long Reach 35.4" (900 mm) TG Shoe (US50)
Boom length		18' 8" (5700 mm)			27' 11" (8500 mm)
Arm length		9' 6" (2900 mm)	11' 6" (3500 mm)	9' 6" (2900 mm)	20' 4" (6200 mm)
Bucket type (SAE)		1.2 yd ³ (0.92 m ³)	1.06 yd ³ (0.81 m ³)	1.2 yd ³ (0.92 m ³)	0.51 yd ³ (0.39 m ³)
Track type		Fixed			
Tail swing radius	A ₁	9' 7" (2909 mm)			
Tail swing overhang (rear)	A ₂	2' 3" (686 mm)			
Tail swing overhang (side)	A ₃	4' 8" (1414 mm)	4' 4" (1314 mm)	4' 8" (1414 mm)	4' 4" (1314 mm)
Shipping height (boom)	B	9' 6" (2890 mm)	10' 2" (3110 mm)	9' 6" (2890 mm)	10' 10" (3295 mm)
Shipping height (hose)	C	9' 10" (3005 mm)	10' 10" (3305 mm)	9' 10" (3005 mm)	11' 1" (3385 mm)
Shipping length	D	31' 5" (9570 mm)	31' 6" (9610 mm)	31' 5" (9570 mm)	40' 8" (12390 mm)
Shipping width	E	10' 5" (3190 mm)	10' 9" (3290 mm)	10' 6" (3190 mm)	10' 9" (3290 mm)
Counterweight clearance	F	3' 7" (1092 mm)			
Cabin height	G	9' 9" (2980 mm)			
Upper structure width	H	8' 11" (2710 mm)			
Cabin height above house	I	2' 9" (840 mm)			
Cabin width	J	3' 4" (1010 mm)			
Tumbler distance	K	12' 0" (3650 mm)			
Overall track length	L	14' 7" (4445 mm)			
Undercarriage width	M	10' 6" (3190 mm)	10' 9" (3290 mm)	10' 6" (3190 mm)	10' 9" (3290 mm)
Track gauge	N	7' 10" (2390 mm)			
Track shoe width	O	31.5" (800 mm)	35.4" (900 mm)	31.5" (800 mm)	35.4" (900 mm)
Track height	P	3' 1" (945 mm)			
Car body clearance	Q	1' 6" (450 mm)			



Working Range

		Standard Arm 31.5" (800 mm) TG Shoe (US20)	Long Arm 35.4" (900 mm) TG Shoe (US30)	Standard Arm & Dozer Blade 31.5" (800 mm) TG Shoe (US40)	Super-Long Reach 35.4" (900 mm) TG Shoe (US50)
Boom length		18' 8" (5700 mm)			27' 11" (8500 mm)
Arm length		9' 6" (2900 mm)	11' 6" (3500 mm)	9' 6" (2900 mm)	20' 4" (6200 mm)
Bucket type (SAE, PCSA)		1.2 yd ³ (0.92 m ³)	1.06 yd ³ (0.81 m ³)	1.2 yd ³ (0.92 m ³)	0.51 yd ³ (0.39 m ³)
Track type		Fixed			
Max. digging reach	A	32' 3" (9865 mm)	34' 0" (10385 mm)	32' 3" (9865 mm)	50' 5" (15365 mm)
Max. digging reach (ground)	B	31' 9" (9695 mm)	33' 6" (10220 mm)	31' 10" (9695 mm)	50' 1" (15255 mm)
Max. digging depth	C	21' 7" (6590 mm)	23' 6" (7210 mm)	21' 7" (6590 mm)	38' 3" (11660 mm)
Max. loading height	D	22' 4" (6830 mm)	22' 11" (6960 mm)	22' 5" (6830 mm)	35' 6" (10830 mm)
Min. loading height	E	8' 2" (2500 mm)	6' 2" (1870 mm)	8' 2" (2500 mm)	6' 7" (2015 mm)
Max. digging height	F	31' 6" (9620 mm)	31' 8" (9635 mm)	31' 7" (9620 mm)	42' 10" (13045 mm)
Max. bucket pin height	G	27' 2" (8270 mm)	27' 8" (8415 mm)	27' 2" (8270 mm)	39' 6" (12050 mm)
Max. vertical wall depth	H	18' 2" (5525 mm)	19' 7" (5995 mm)	18' 2" (5525 mm)	31' 10" (9715 mm)
Max. radius vertical	I	21' 1" (6415 mm)	22' 1" (6740 mm)	21' 1" (6415 mm)	33' 0" (10060 mm)
Max. depth to 8' line	J	21' 0" (6395 mm)	22' 11" (7030 mm)	21' 0" (6395 mm)	37' 11" (11555 mm)
Min. radius to 8' line	K	9' 3" (2820 mm)	9' 1" (2790 mm)	9' 3" (2820 mm)	15' 10" (4815 mm)
Min. digging reach	L	1' 11" (575 mm)	-8" (-225 mm)	1' 11" (575 mm)	6" (150 mm)
Min. swing radius	M	11' 8" (3560 mm)	11' 10" (3615 mm)	11' 8" (3560 mm)	16' 4" (4970 mm)
Bucket angle (DEG)	d	177°			
Digging force, bucket (PCSA)	ISO	25353 lbf. (11500 kgf)			23840 lbf. (10814 kgf)
Digging force, arm		25353 lbf. (11500 kgf)	22708 lbf. (10300 kgf)	25353 lbf. (11500 kgf)	13999 lbf. (6350 kgf)
Operating weight		52086 lb. (23626 kg)	52768 lb. (23935 kg)	55614 lb. (25226 kg)	55731 lb. (25279 kg)
Ground pressure		5.26 psi (0.37 kg/cm ²)	4.8 psi (0.34 kg/cm ²)	5.7 psi (0.40 kg/cm ²)	5.1 psi (0.36 kg/cm ²)



Bucket

	Standard Arm (US20)	Long Arm (US30)	Standard Arm & Dozer Blade (US40)	Super-Long Reach (US50)				
Boom	18' 8" (5700 mm)			27' 11" (8500 mm)				
Arm	9' 6" (2900 mm)	11' 6" (3500 mm)	9' 6" (2900 mm)	20' 4" (6200 mm)				
Shoe size	31.5" (800 mm)	35.4" (900 mm)	31.5" (800 mm)	35.4" (900 mm)				
Track type	Fixed		Fixed with dozer	Fixed				
Mount	Pin-on	Quick-coupler	Pin-on	Quick-coupler	Pin-on	Quick-coupler	Pin-on	
Counterweight	10780 lb. (4900 kg)		11660 lb. (5300 kg)		10780 lb. (4900 kg)		11660 lb. (5300 kg)	

Bucket Type	Model	Capacity* yd ³ (m ³)	Width in. (mm)	Weight lb. (kg)							
Heavy-duty	HD22-024	0.55 (0.42)	24 (610)	1394 (632)	A	A	A	A	A	A	X
	HD22-030	0.74 (0.57)	30 (762)	1566 (710)	A	A	A	A	A	A	X
	HD22-036	0.94 (0.72)	36 (914)	1747 (792)	A	A	A	A	A	A	X
	HD22-042	1.14 (0.87)	42 (1067)	1893 (858)	A	A	A	A	A	A	X
	HD22-048	1.34 (1.02)	48 (1219)	2074 (940)	A	B	A	B	A	B	X
Severe-duty	SD22-024	0.55 (0.42)	24 (610)	1424 (645)	A	A	A	A	A	A	X
	SD22-030	0.74 (0.57)	30 (762)	1586 (719)	A	A	A	A	A	A	X
	SD22-036	0.94 (0.72)	36 (914)	1774 (804)	A	A	A	A	A	A	X
	SD22-042	1.14 (0.87)	42 (1067)	1919 (870)	A	A	A	A	A	A	X
	SD22-048	1.34 (1.02)	48 (1219)	2097 (951)	A	B	A	B	A	A	X
Ditching	DC140-048	0.63 (0.48)	48 (1219)	820 (372)	A	A	A	A	A	A	C
	DC140-060	0.80 (0.61)	60 (1524)	985 (447)	A	A	A	A	A	A	C
	HDC140-060	1.38 (1.06)	60 (1524)	1620 (735)	A	A	A	B	A	A	C
	DC200-048	0.97 (0.74)	48 (1219)	1195 (542)	A	A	A	A	A	A	X
	DC200-060	1.22 (0.93)	60 (1524)	1395 (632)	A	A	A	A	A	A	X
	DC200-072	1.34 (1.02)	72 (1829)	1565 (709)	A	A	A	B	A	A	X
	HDC200-060	1.96 (1.50)	60 (1524)	2370 (1075)	C	C	C	C	C	C	X
HDC200-066	2.16 (1.65)	66 (1676)	2554 (1158)	C	X	C	X	C	C	X	

*Capacity based on ISO 7451 and heaped with a 1:1 angle of repose

• Equipped with bolt-on wear shrouds

• Equipped with bolt-on teeth

• Equipped with bolt-on cutting edge

• These recommendations are given as a guide only and based on typical operating conditions.

Maximum Suitable Material Density

A 3370 lb./yd³ (2000 kg/m³)

B 2700 lb./yd³ (1600 kg/m³)

C 1850 lb./yd³ (1100 kg/m³)

X Not Approved

Please consult with your DEVELON dealer to properly match buckets and attachments for the application.

Lifting Capacity

Rating over front Rating over side or 360°

DX225LC-7 US20

Boom: 18' 8" (5700 mm) | Arm: 9' 6" (2900 mm) | Counterweight: 10800 lb. (4900 kg) | 31.5" (800 mm) TG Shoes | No Dozer | Bucket: None | Unit: lb. (kg)

A (ft. or m) B (ft. or m)	5' (1.5 m)		10' (3.0 m)		15' (4.5 m)		20' (6.0 m)		25' (7.5 m)		Max. Reach	A	
25' (7.5 m)							* 11530 (* 5241)	* 11530 (* 5241)			* 10050 (* 4568)	* 10050 (* 4568)	20.34' (6.20 m)
20' (6.0 m)							* 12750 (* 5795)	* 12750 (* 5795)			* 9370 (* 4259)	* 9370 (* 4259)	23.98' (7.31 m)
15' (4.5 m)							* 13980 (* 6355)	13130 (5968)	* 12940 (* 5882)	9300 (4227)	* 9240 (* 4200)	8390 (3814)	26.21' (7.99 m)
10' (3.0 m)					* 20420 (* 9282)	19100 (8682)	* 15910 (* 7232)	12570 (5714)	* 13730 (* 6241)	9060 (4118)	* 9480 (* 4309)	7690 (3495)	27.38' (8.35 m)
5' (1.5 m)					* 24230 (* 11014)	17940 (8155)	* 17840 (* 8109)	12010 (5459)	13440 (6109)	8800 (4000)	* 10110 (* 4595)	7450 (3386)	27.63' (8.42 m)
Ground Level			* 14080 (* 6400)	* 14080 (* 6400)	* 26060 (* 11845)	17310 (7868)	18300 (8318)	11620 (5282)	13220 (6009)	8590 (3905)	* 11250 (* 5114)	7600 (3455)	26.98' (8.22 m)
-5' (-1.5 m)	* 15370 (* 6986)	* 15370 (* 6986)	* 24440 (* 1109)	* 24440 (* 1109)	* 25830 (* 11741)	17140 (7791)	18120 (8236)	11460 (5209)	13160 (5982)	8540 (3882)	12640 (5745)	8220 (3736)	25.36' (7.73 m)
-10' (-3.0 m)	* 26340 (* 11973)	* 26340 (* 11973)	* 32850 (* 14932)	* 32850 (* 14932)	* 23620 (* 9910)	17280 (7855)	* 17570 (* 7986)	11550 (5250)			* 14430 (* 6559)	9700 (4409)	22.57' (6.88 m)
-15' (-4.5 m)			* 25100 (* 11409)	* 25100 (* 11409)	* 18340 (* 8260)	* 18340 (* 8260)					* 14050 (* 6386)	* 14050 (* 6386)	18.05' (5.50 m)

DX225LC-7 US30

Boom: 18' 8" (5700 mm) | Arm: 11' 6" (3500 mm) | Counterweight: 11685 lb. (5300 kg) | 35.4" (900 mm) TG Shoes | No Dozer | Bucket: None | Unit: lb. (kg)

A (ft. or m) B (ft. or m)	5' (1.5 m)		10' (3.0 m)		15' (4.5 m)		20' (6.0 m)		25' (7.5 m)		Max. Reach	A	
25' (7.5 m)											* 7820 (* 3555)	* 7820 (* 3555)	22.79' (6.95 m)
20' (6.0 m)									* 10110 (* 4595)	9980 (4536)	* 7960 (* 3618)	* 7960 (* 3618)	25.87' (7.89 m)
15' (4.5 m)							* 12500 (* 5682)	* 12500 (* 5682)	* 11730 (* 5332)	9810 (4459)	* 7890 (* 3586)	* 7890 (* 3586)	27.95' (8.52 m)
10' (3.0 m)			* 27420 (* 12464)	* 27420 (* 12464)	* 18170 (* 8259)	* 18170 (* 8259)	* 12700 (* 6609)	13260 (6027)	* 12700 (* 5773)	9510 (4323)	* 8160 (* 3691)	7340 (3336)	29.04' (8.85 m)
5' (1.5 m)					* 22430 (* 10195)	18960 (8618)	* 16690 (* 7586)	12600 (5727)	* 13800 (* 6273)	9170 (4168)	* 8650 (* 3932)	7100 (3250)	29.28' (8.92 m)
Ground Level			* 17130 (* 7786)	* 17130 (* 7786)	* 25060 (* 11391)	18070 (8214)	* 18290 (* 8314)	12090 (5495)	13690 (6223)	8900 (4045)	* 9580 (* 4355)	7200 (3250)	28.67' (8.74 m)
-5' (-1.5 m)	* 15100 (* 6864)	* 15100 (* 6864)	* 24070 (* 10941)	* 24070 (* 10941)	* 25670 (* 11668)	17710 (8050)	18710 (8505)	11830 (5395)	13530 (6150)	8750 (3977)	* 11200 (* 5091)	7700 (3500)	27.16' (8.28 m)
-10' (-3.0 m)	* 23480 (* 10673)	* 23480 (* 10673)	* 34720 (* 15782)	34300 (13530)	* 24350 (* 11068)	17740 (8064)	* 18080 (* 8218)	11810 (5368)			* 13530 (* 6150)	8850 (4023)	24.57' (7.49 m)
-15' (-4.5 m)	* 34430 (* 15650)	* 34430 (* 15650)	* 28830 (* 13105)	* 28830 (* 13105)	* 20580 (* 9355)	18120 (8236)	* 14750 (* 6705)	12130 (5514)			* 13750 (* 6250)	11520 (5236)	20.5' (6.25 m)

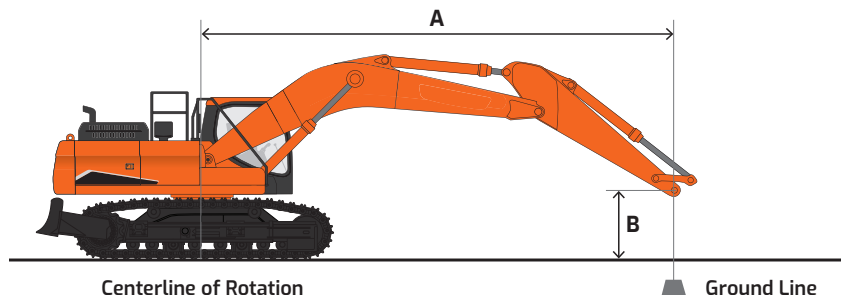
DX225LC-7 US40

Boom: 18' 8" (5700 mm) | Arm: 9' 6" (2900 mm) | Counterweight: 10800 lb. (4900 kg) | 31.5" (800 mm) TG Shoes | Dozer Up | Bucket: None | Unit: lb. (kg)

A (ft. or m) B (ft. or m)	5' (1.5 m)		10' (3.0 m)		15' (4.5 m)		20' (6.0 m)		25' (7.5 m)		Max. Reach	A	
25' (7.5 m)							* 11530 (* 5241)	* 11530 (* 5241)			* 10050 (* 4568)	* 10050 (* 4568)	20.34' (6.20 m)
20' (6.0 m)							* 12750 (* 5795)	* 12750 (* 5795)			* 9370 (* 4259)	* 9370 (* 4259)	23.98' (7.31 m)
15' (4.5 m)							* 13980 (* 6355)	13880 (6309)	* 12940 (* 5882)	9870 (4486)	* 9240 (* 4200)	8910 (4050)	26.21' (7.99 m)
10' (3.0 m)					* 20420 (* 9282)	20200 (9182)	* 14660 (* 6664)	13320 (6055)	* 13730 (* 6241)	9630 (4377)	* 9480 (* 4309)	8190 (3723)	27.38' (8.35 m)
5' (1.5 m)					* 24230 (* 11014)	19030 (8650)	* 16390 (* 7450)	12760 (5800)	* 14640 (* 6655)	9360 (4255)	* 10110 (* 4595)	7940 (3609)	27.63' (8.42 m)
Ground Level			* 14080 (* 6400)	* 14080 (* 6400)	* 26060 (* 11845)	18400 (8364)	16130 (7332)	12370 (5623)	14800 (6227)	9160 (4164)	* 11250 (* 5114)	8100 (3682)	26.98' (8.22 m)
-5' (-1.5 m)	* 15370 (* 6986)	* 15270 (* 6941)	* 24400 (* 11091)	* 24400 (* 11091)	* 25830 (* 11741)	18230 (8286)	15970 (7259)	12210 (5550)	14740 (6700)	9110 (4141)	* 13300 (* 6045)	8770 (3986)	25.36' (7.73 m)
-10' (-3.0 m)	* 26340 (* 11973)	* 25940 (* 11791)	* 32850 (* 14932)	* 32850 (* 14932)	* 23620 (* 10736)	18380 (8354)	* 15810 (* 7186)	12290 (5586)			* 14430 (* 6559)	10330 (4695)	22.57' (6.88 m)
-15' (-4.5 m)			* 25100 (* 11409)	* 25100 (* 11409)	* 18340 (* 8336)	17790 (8086)					* 14050 (* 6386)	* 14050 (* 6386)	18.05' (5.50 m)

A Distance from center of rotation
B Height

NOTE: Lifting capacities are in compliance with SAE 1097 and ISO 10567. Machine in lifting mode with power boost turned on. Load point is the end of the arm. Rated loads shown do not exceed 75% of minimum tipping loads or 87% of hydraulic capacities. Rated loads marked with an asterisk (*) are limited by hydraulic capacities. The least stable position is over the side. The total mass of machine includes the mass of the boom, arm, counterweight, all operating fluids and 165 lb. (75 kg) operator.



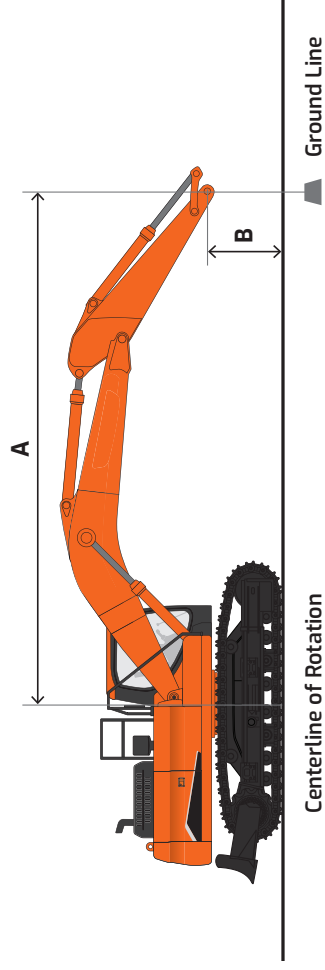
Lifting Capacity

Rating over front Rating over side or 360°

DX225LC-7 U550
Boom: 27' 11" (8500 mm) | Arm: 20' 4" (6200 mm) | Counterweight: 11684 lb. (5300 kg) | 35.4" (900 mm) TG Shoes | Bucket: None | Unit: lb (kg)

A B (ft. or m) / (ft. or m)	5' (1.5 m)	10' (3.0 m)	15' (4.5 m)	20' (6.0 m)	25' (7.5 m)	30' (9.0 m)	35' (10.5 m)	40' (12.0 m)	45' (13.5 m)	Max. Reach	A
40' (12.0 m)										*2320 (*1050)	321' (97.9 m)
35' (10.5 m)							*3600 (*1630)			*2120 (*960)	366' (116 m)
30' (9.0 m)							*4950 (*2250)	*2530 (*1150)		*2000 (*910)	*2000 (1218 m)
25' (7.5 m)							*5760 (*2610)	*4220 (*1910)		*1950 (*880)	42.49' (12.95 m)
20' (6.0 m)							*6130 (*2780)	*5250 (*2380)	*1980 (*900)	*1940 (*880)	44.35' (13.52 m)
15' (4.5 m)							*6600 (*2990)	*6140 (*2790)	*3280 (*1490)	*1960 (*890)	45.58' (13.89 m)
10' (3.0 m)							*7100 (*3220)	*7940 (*3600)	*4060 (*1840)	*2030 (*920)	*2030 (14.10 m)
5' (1.5 m)							*7720 (*3500)	*6600 (*2990)	*4490 (*2040)	*2180 (*970)	46.40' (14.14 m)
Ground Level							*7810 (*3540)	*6410 (*2910)	*4480 (*2030)	*2280 (*1040)	46.02' (14.03 m)
-5' (-1.5 m)	*8240 (*3740)	*10380 (*4710)	*16470 (*7470)	*16100 (*7300)	*12140 (*5518)	9410 (4270)	7590 (3440)	6250 (2840)	3710 (*1680)	*2500 (*1140)	45.08' (13.74 m)
-10' (-3.0 m)	*1050 (*4760)	*12650 (*5740)	*17960 (*8150)	*16330 (*7410)	11830 (5370)	9180 (4160)	7420 (3360)	6160 (2790)		*2810 (*1280)	43.59' (13.29 m)
-15' (-4.5 m)	*12860 (*5830)	*15240 (*6910)	*20530 (*9310)	*16220 (*7360)	11710 (5310)	9070 (4120)	7350 (3350)	6140 (2790)		*3260 (*1480)	41.46' (12.64 m)
-20' (-6.0 m)	*15410 (*6990)	*18230 (*8270)	*20650 (*9370)	*15740 (*7140)	11740 (5320)	9100 (4130)	7390 (3350)	6100 (2790)		*3970 (*1800)	38.57' (11.75 m)
-25' (-7.5 m)	*18230 (*8270)	*21750 (*9870)	*18560 (*8420)	*14380 (*6520)	*11520 (*5220)	9260 (4200)	5650 (*2750)			*5210 (*2360)	34.72' (10.58 m)
-30' (-9.0 m)		*20650 (*9370)	*15360 (*6970)	*12070 (*5470)	*9590 (*4350)	7570 (3440)	6020 (273)			*7260 (*3290)	29.59' (9.02 m)

A Distance from center of rotation
 B Height



NOTE: Lifting capacities are in compliance with SAE 1057 and ISO 10567. Machine in lifting mode with power boost turned on. Load point is the end of the arm. Rated loads shown do not exceed 75% of minimum tipping loads or 87% of hydraulic capacities. Rated loads marked with an asterisk (*) are limited by hydraulic capacities. The least stable position is over the side. The total mass of machine includes the mass of the boom, arm, counterweight, all operating fluids and 165 lb. (75 kg) operator.

Standard & Optional Equipment

■ Standard ● Optional

Engine

Emissions (EPA)	T4f
High-pressure common-rail (HPCR)	■
Turbo, waste gate (WGT)	■
Cooled exhaust gas recirculation (CEGR)	■
Diesel oxidation catalyst (DOC)	■
Selective catalyst reduction (SCR)	■
Diesel exhaust fluid (DEF)	■
Fuel filter with water separator	■
Coolant expansion tank	■
Dual element dry-type air filter with evacuator	■
Precleaner	■
Electronic engine control (ECU)	■
Auto idle	■
Auto shutdown (time-adjustable)	■
Overheat & low oil pressure engine protection	■
Block heater (110 V)	●
Water separator with heater	●
Fuel filler pump	●

Hydraulic

Electronic Power Optimizing System (EPOS)	■
Variable axial piston main pump (tandem)	■
Cross-sensing pump control	■
Pilot-operated control valves	■
Gear pilot pump	■
Smart Power Control (SPC)	■
Variable-speed hydraulic cooling fan	■
Axial piston swing motor	■
Spring-applied hydraulic release brake, swing motor	■
Axial piston travel motor (high/low, auto)	■
Auxiliary hydraulics, one- & two-way piping	■
Auxiliary hydraulics, tilt/rotate piping	●
Adjustable auxiliary flow & pressure, 10 presets	■
Intelligent floating boom	●
Breaker filter	●
Boom & arm lock valves	●
Clamshell piping	●
Straight travel	●

Controls

Joystick controls	■
Pattern control change valve (SAE, ISO)	■
Joystick attachment control	■
Switches/buttons	■
- Right (one-way, two-way, power boost)	
- Left (tilt/rotate, horn, one-touch decel)	
Foot pedal attachment control	■
Control stands	■
- Height adjustable	
- Sliding (fore/aft)	
- Tilting armrests	
Engine speed control dial	■
Travel pedals with hand levers	■
Straight travel pedal	●
Switches, console-mounted	■
- Starter button switch	
- Travel speed selector	
- Work light	
- Auxiliary mode switch	
Emergency stop switch	■
Power modes (P+, P, S, E)	■
Work modes (digging, lifting, breaker, shear)	■
Smart Power Control (SPC)	■
Jog dial display control	■
Wiper control panel	■
Audio control panel	■

Cabin

Steel, all-weather & sound-suppressed	■
ROPS (ISO 12117-2:2008)	■
Viscous mount with spring reinforcement	■
Front window with wiper/washer	■
Tinted safety glass	■
Skylight top hatch with sun screen	■
Front window with sun screen	■
Pull-up type top front window	■
Removable lower front window with storage behind seat	■
Adjustable sliding side door window	■
Defrost, front window	■
Lockable doors	■
Seat	■
- Heated	
- Air suspension	
- 2" (51 mm) seat belt	■
- Adjustable height & recline	
- Adjustable fore/aft	
- Adjustable armrests	
Leatherette seat	●
- Heating & cooling	
- Air suspension	
- 2" (51 mm) seat belt	
- Adjustable height & recline	
- Adjustable fore/aft	
- Adjustable armrests	
3" (76 mm) seat belt	●
Control stands	■
- Height adjustable	
- Mounted to seat base	
Storage for operator's manuals	■
Mirrors	■
Fully automatic HVAC with ambient temperature sensor	■
8" multi-function LCD interactive display monitor	■
Cigarette lighter	■
Digital audio broadcasting stereo	■
Speakers (2)	■
Antenna, roof-mounted	■
Emergency breakout tool	■
Hot/cold beverage compartment	■
Power socket, 12 V & 24 V	■
Cup holder	■
Interior light	■
Coat hanger	■
Rain shield	●
Fog guard	●
Front window guard	●

Electrical

System voltage – 24 V	■
Alternator – 24 V, 80 amp	■
Alternator – 24 V, 100 amp	■
2 x 12 V batteries, 150 AH reserve capacity, 950 CCA	■
Blade-type fuse panel	■
Main circuit breaker	■
Light, work (LED): machine (2), boom (2)	■
Light, work (LED): 6 cab top, front (4), rear (2)	●
Light, work (LED): 4 cab top, front (2), rear (2)	●
Rotating beacon	●
Overload warning alarm	●
Hour meter	■
Engine restart prevention system	■
Side view & rearview camera with LED lamps (3)	■
360° all-around view camera	●
Microphone & speaker	■
Ultrasonic sensor	●
Laptop service port	■
Self-diagnostics system	■
Smart key (remote ignition key)	■
DEVELON Fleet Management	■

Display Monitor & Warnings

Indicators	■
- Work modes (P+, P, S, E)	
- User/Service menu	
Gauges	■
- Fuel level	
- DEF level	
- Engine coolant temperature	
- Hydraulic oil temperature	
- Engine rpm	
- Battery voltage	■
- Hydraulic pump pressure	
- ECO	
- Digital clock	
- Trip meter	
- Hour meter	
- Fuel consumption	
Warning & indicator lights	■
- Seat belt	
- Error code	
- SCR warning	
- Check engine	
- Engine oil pressure	
- Engine pre-heat engaged	
- Radiator coolant level & temperature	
- Air filter	■
- Fuel level	
- DEF level – low	
- Water in fuel	
- Battery charge	
- Work lights on	
- Hydraulic oil temperature	
- Hydraulic charge pressure	
- Hydraulic pilot filter	
- Hydraulic return filter	
Swing alarm	■
Travel alarm	■
Buzzer	■
- Engine oil pressure	
- Coolant temperature	

Undercarriage

Track guards & chains with adjusters	■
Track rollers, upper	2
Track rollers, lower	8
In-shoe motor protection	■
Shoes, triple grouser – 700 mm	●
Shoes, triple grouser – 800 mm	■
Shoes, triple grouser – 900 mm	●
Dozer blade, front	●

Other

Centralized lubrication	■
- Boom	
- Swing	
Handrails & service platforms	■
Skid-resistant steps & service platforms	■
Manuals	■
- Operation & Maintenance	
- Parts	
- AEM Safety Manual	
DEVELON Fleet Management 3-year subscription	■
Vandalism protection	■
- Lockable panels	
- Lockable fluid fill points	●
- Anti-theft protection (password)	
- Vandalism window cover mount	
Air compressor	●

Certain specification(s) are based on engineering calculations and are not actual measurements. Specification(s) are provided for comparison purposes only and are subject to change without notice. Specification(s) for your individual DEVELON equipment will vary based on normal variations in design, manufacturing, operating conditions, and other factors. Pictures of DEVELON units may show other than standard equipment.

Powered by Innovation

DEVELON

A brand of HD Hyundai Infracore.

na.develon-ce.com/dx225lc-7

DX225LC-7 Crawler Excavator Spec Sheet
Printed in the U.S.A.
23906_002_D070723

©2023 HD Hyundai Infracore. All rights reserved.